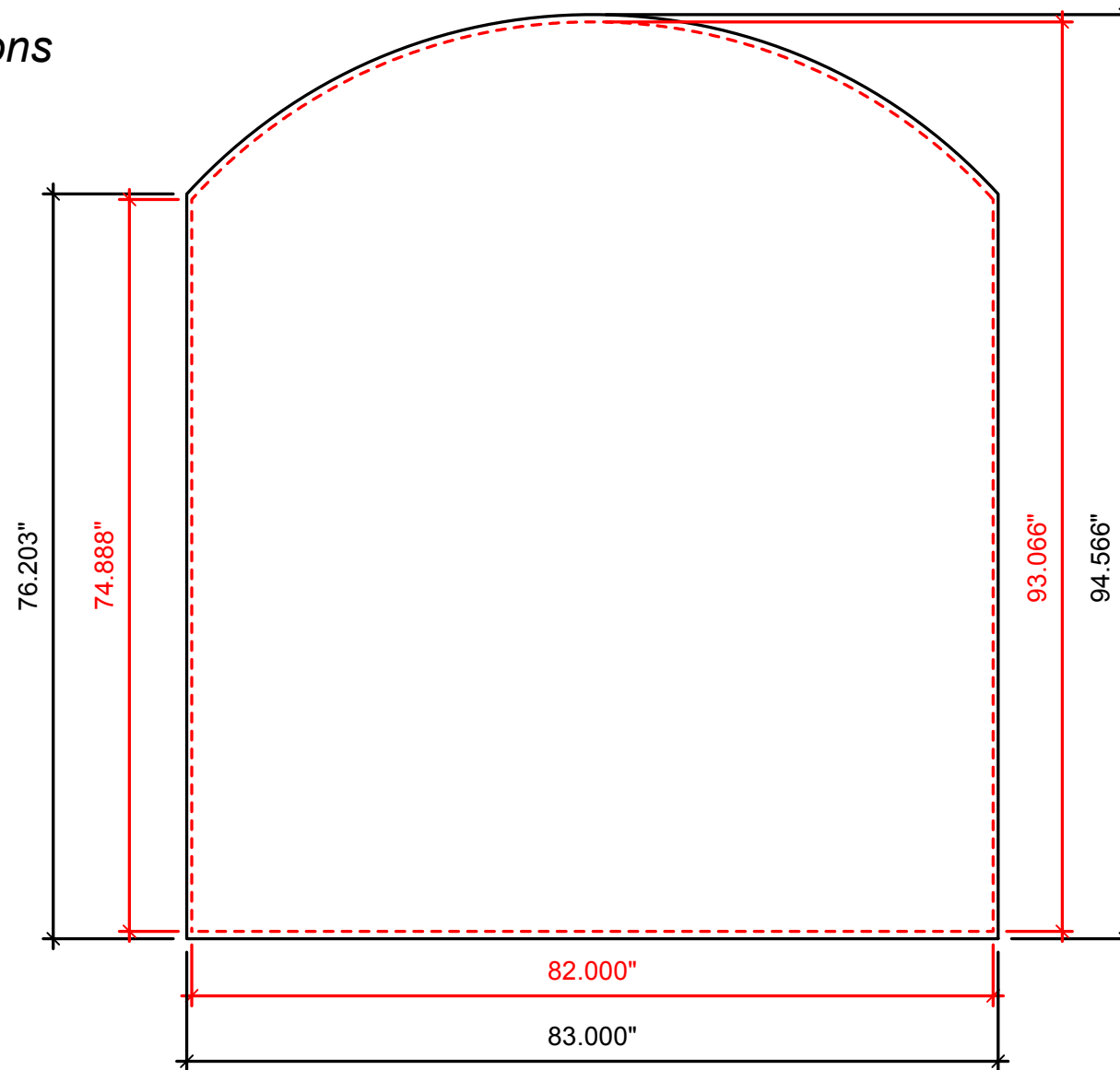


*Backwall Graphic Dimensions*



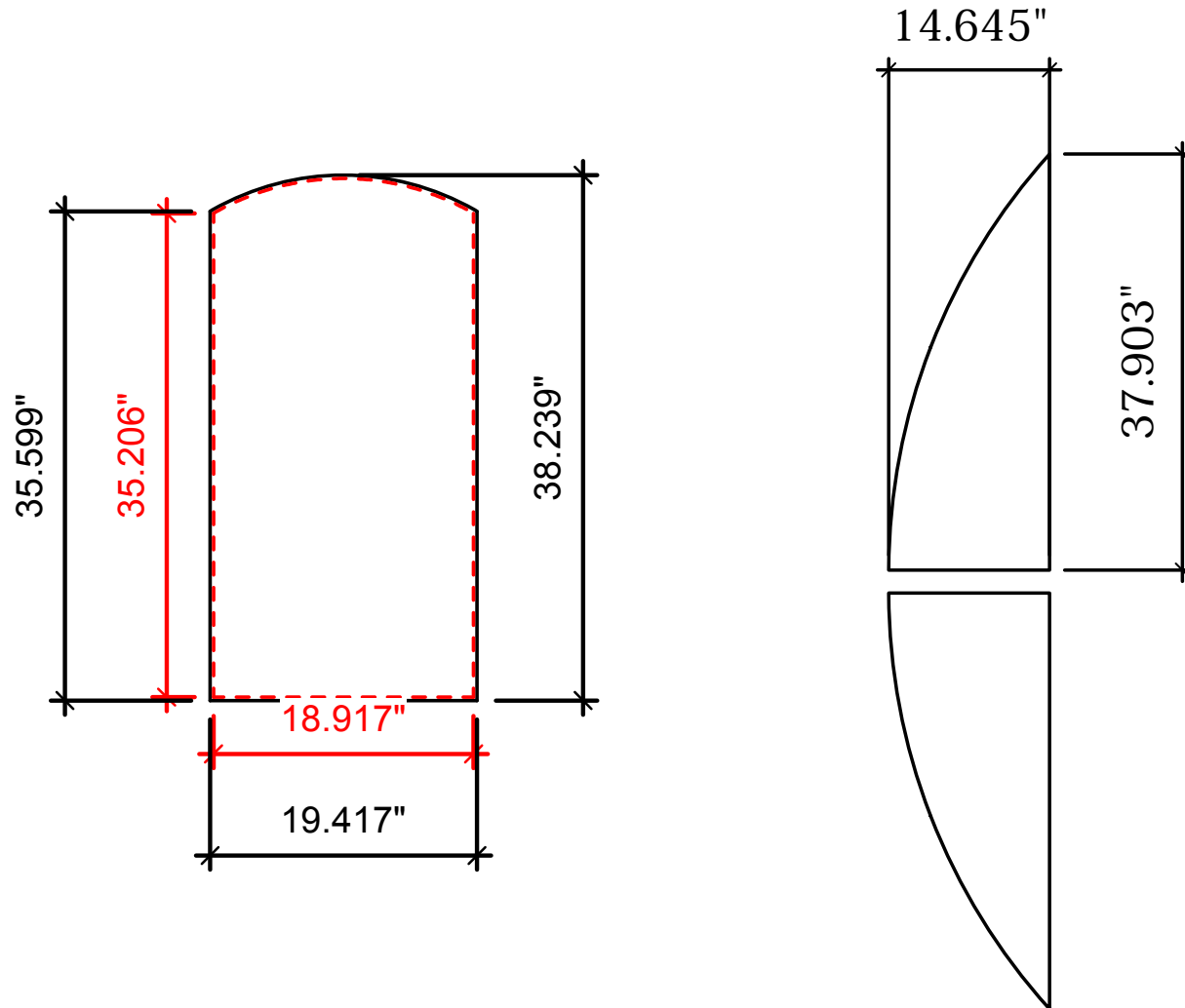
Product Name: VK-1121
Process: HD Dye Sub
Material: Poly Knit 9
Effective Date: 12.4.14

NOTE: Graphic files must be @ 150 dpi Finished Size.  
DO NOT send Flattened Files. Production can not manipulate  
the content, proportion or color of these files.

**\*\*NOTE: Test frames may be required for guaranteed fitting of graphics\*\***

*Pedestal & Wing Graphic Dimensions*

Product Name: VK-1121
Process: Direct Print
Material: 1/4" Sintra
Effective Date: 12.4.14



NOTE: Graphic files must be @ 150 dpi Finished Size.  
DO NOT send Flattened Files. Production can not manipulate the content, proportion or color of these files.

**\*\*NOTE: Test frames may be required for guaranteed fitting of graphics\*\***